

## TRIAC CONSTANT VOLTAGE DRIVER

12 VOLT | 20 WATT

Item number: ZIHTDRCV/12W12V



|                     |                               |
|---------------------|-------------------------------|
| <b>Description</b>  | Triac Constant Voltage Driver |
| <b>Product Code</b> | ZIHTDRCV/12W12V               |
| <b>Dimmable</b>     | Yes (leading & trailing edge) |
| <b>Warranty</b>     | 5 years                       |
| <b>Lifetime</b>     | 50,000 hrs at Tc max          |

### TECHNICAL SPECIFICATION

|                        |                  |
|------------------------|------------------|
| <b>Input Voltage</b>   | 180-240VAC       |
| <b>Input Current</b>   | 0.12A max        |
| <b>AC Frequency</b>    | 50/60Hz          |
| <b>Output Mode</b>     | Constant Current |
| <b>Output Current</b>  | 1500mA           |
| <b>On Load Voltage</b> | 12VDC            |
| <b>Output Power</b>    | 20W Max          |
| <b>Power factor</b>    | >0.95            |
| <b>Efficiency</b>      | >82%             |
| <b>Ta / Tc</b>         | 40°C / 80°C      |

### ENVIRONMENTAL SPECIFICATIONS

|                            |                       |
|----------------------------|-----------------------|
| <b>Thermal Dissipation</b> | Nature                |
| <b>Relative Humidity</b>   | 5~95%                 |
| <b>Isolation Voltage</b>   | In/Out 3000VAC        |
| <b>Vibration</b>           | 5-55Hz/2g, 30 minutes |

### CONFORMITY & STANDARDS

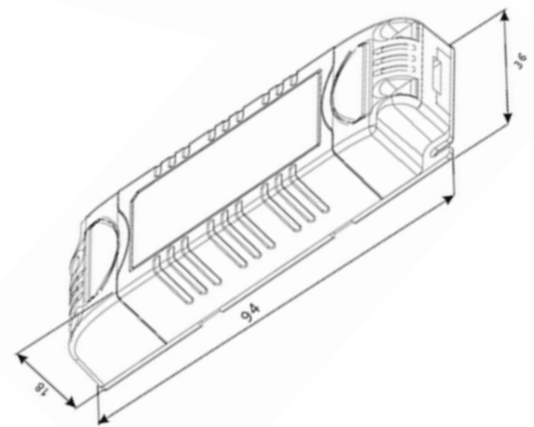
EN55015: 2006 + A1: 2007 + A2: 2009, EN61547: 2009  
EN61000-3-2: 2006 + A1: 2009 + A2: 2009, EN61000-3-3: 2008

**Fireproof environmental protection PC plastic cover**

|                   |            |
|-------------------|------------|
| <b>Dimensions</b> | 94*36*18mm |
| <b>Weight</b>     | 80g        |

### EAN13 CODE

ZIHTDRCV/12W12V 5060537721378



Our products as well as the technologies behind them are subject to continuous improvements. All specification is subject to change without notice. Please refer to our website for the most up to date information.